

Mercury soffitto Mercury mini soffitto

design

Ross Lovegrove
2007, 2011



274

Awards

Mercury soffitto: Good Design Award
The Chicago Athenaeum
2008 – Chicago (US)

Materiali: corpi luminosi in alluminio pressofuso; corpi riflettenti in materiale termoplastico stampato ad iniezione con finitura metallizzata; riflettore in acciaio inox.

Light emission



Colours



Materials

Die-cast aluminium lighting units; reflective units made of injection-moulded thermoplastic material with metallic finish; stainless steel reflector.

Matériaux

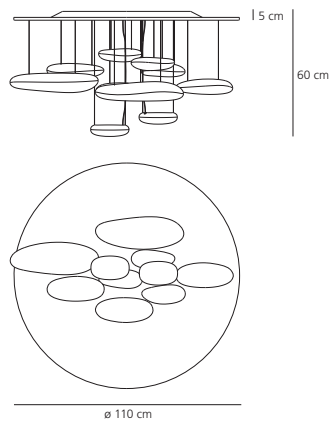
Corps en aluminium moulé sous pression; galets réfléchissants en matière thermoplastique finition métallisée ; réflecteur en acier inoxydable.

Materialien

Leuchtenkörper aus druckgegossenem Aluminium; reflektierende Körper aus Spritzguss-Thermoplast mit Metall-Oberfläche, Reflektor aus Edelstahl.

Materiales

Cuerpos luminosos en aluminio fundido a presión; cuerpos reflectantes en material termoplástico moldeado por inyección, con acabado metalizado; reflector en acero inoxidable.



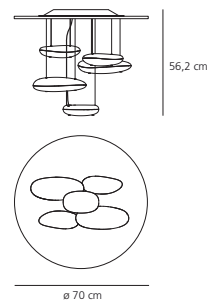
Mercury soffitto Halo

HALO max 2x160W (R7s) – ECO, dimmable



Mercury soffitto Led

LED Total power 62W
Warm white 3000K
Lighting output 4200lm
dimmable



Mercury mini soffitto Halo

HALO 1x160W (R7s) – ECO, dimmable



Mercury mini soffitto Led

LED Total power 31W
Warm white 3000K
Lighting output 2100lm
dimmable



Led unit



Mercury mini soffitto

