

# COMPENDIUM

design Daniel Rybakken



Type: Suspension

Light source: D81B2 LED module 33W, 3000K, CRI 90, max 1A<sub>dc</sub>, 17dcSELV  
D81BW2 LED module 33W, 2700K, CRI 90, max 1A<sub>dc</sub>, 17dcSELV

Product use: Indoor

Materials: Profile in extruded aluminum anodized in various colors.

Colors: Black, brass, aluminum

Description: Compendium stands out for the evocative graphic-sculptural impact of their slim silhouette.



Insulation class and marks:

Rating: D81B2/D81BW2 + D81/25T D81/25D  
220-240 V ~ 50/60 Hz, 37W

Reference code: Structure 3000K

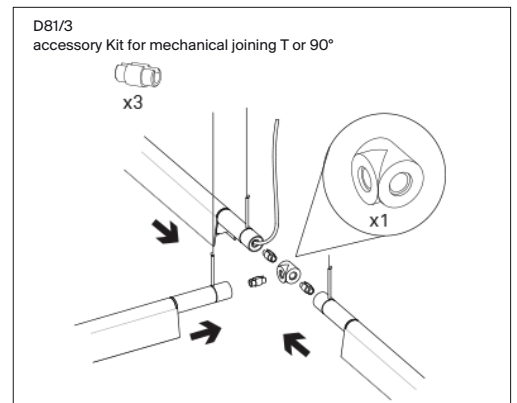
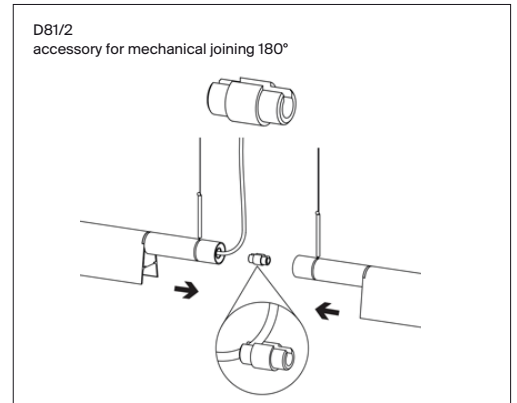
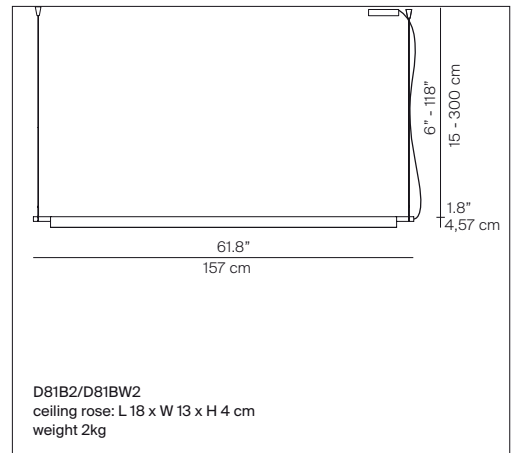
D81B2	1D810B020030	brass	1.926 lm
	1D810B020020	alu	1.926 lm
	1D810B020001	black	1.516 lm

Reference code: Structure 2700K

D81BW2	1D810BW20030	brass	1.848 lm
	1D810BW20020	alu	1.848 lm
	1D810BW20001	black	1.453 lm

Ceiling rose: push/DALI  
D81/25D 1D810/25D000 white  
phase cut  
D81/25T 1D810/25T000 white

Accessory: D81/2 1D810/200001 black  
D81/3 1D810/300001 black



(\*) Power consumption by device

