

# CLIPPO 14W LED

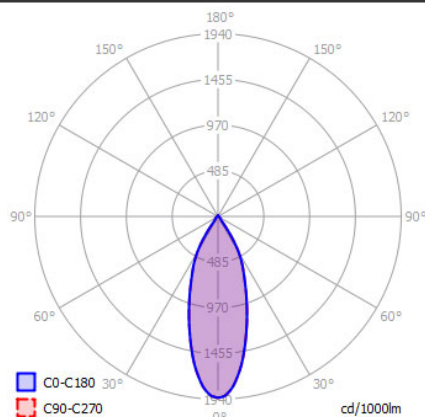
## SPECIFICATIONS

<b>MOUNTING</b>		<b>CEILING / WALL</b>
POWER	[W]	14
LAMP		built-in LED
LUMINOUS FLUX*	[lm]	1310 / 1375
LIGHT COLOUR	[K]	2700 / 3000
CRI		>90
BEAM ANGLE	[°]	32 (default)
AVERAGE LIFETIME	[h]	L80/B50.000
LUMINOUS EFFICACY	[lm/W]	98
<b>POWER SUPPLY</b>	[V] [A]	220-240V AC 50/60 Hz
LED-DRIVER		INCLUDED
DIMMING		PHASE DIM
THROUGH-WIRING		YES
<b>MATERIAL</b>		<b>ALUMINUM</b>
INGRESS PROTECTION		IP20
PROTECTION CLASS		I
NET WEIGHT	[kg]	0,72
GROSS WEIGHT	[kg]	0,75
COLOUR (HOUSING)		WHITE ~RAL9003
COLOUR (HOUSING)		BLACK ~RAL9005



## LIGHT DISTRIBUTION

32°



\*Luminous flux values are nominal LED data at a operating temperature of 25° C

## OPTIONS / OPTIONAL ACCESSORIES

REFLECTOR	[°]	15 / 48
LENS	[°]	18
HONEY COMB LOUVER		BLACK
ANTI GLARE RING		GOLD
DIMMING		DALI



## Colours



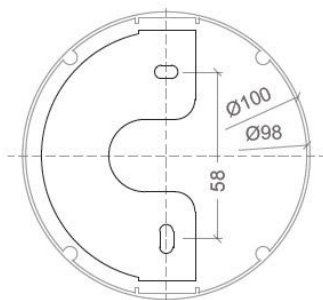
white/white

white/gold

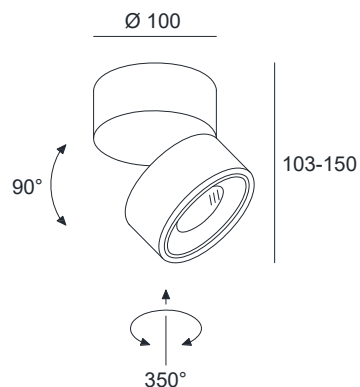
black/black

black/gold

## MOUNTING DIMENSIONS



## FIXTURE DIMENSIONS



CRI > 90



IP20

DLS LIGHTING

www.dslighting.com

**\*DLS**  
LIGHTING